



12.1" XGA AFOLUX Panel PC

**AFL-12A-LX**

AMD Geode LX-800 500 MHz Processor

**AFL-12B-LXPOS**

AMD Geode LX-800 500 MHz Processor

**AFL-12A-N270**

Intel® Atom™ Processor N270 1.6GHz Processor



## Features

- 12.1" TFT LED Backlight LCD with resistive touch screen
- Fanless cooling system
- 18V~30V wide range DC power input (Optional for LX platform)
- Selectable AT/ATX power mode through the switch on the chassis inside
- Built-in HSUPA module for mobile connection (Optional)
- One CompactFlash® slot
- IP 64 compliant front panel
- IEI One Key Recovery solution allows you to create rapid OS backup and recovery (Suggest over 4GB storage capacity)



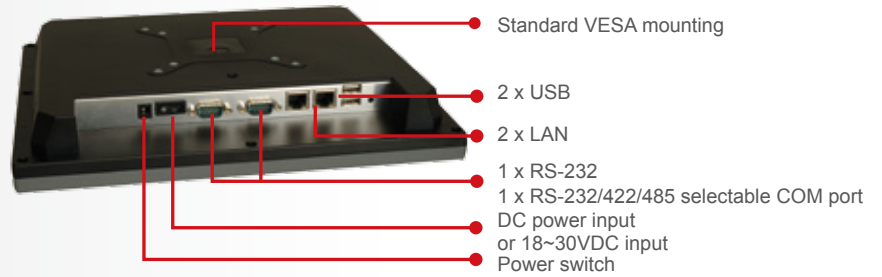
## Specifications

Model	AFL-12A-LX / AFL-12A-LX24V	AFL-12B-LXPOS	AFL-12A-N270
LCD Size	12.1"		
Max Resolution	1024 x 768	1024 x 768 or 800 x 600	1024 x 768
Brightness (cd/m <sup>2</sup> )	500	500 or 450	500
Contrast Ratio	700 : 1	700 : 1	700 : 1
LCD Color	262K		
Pixel Pitch (mm)	0.240(H) x 0.240(V)		
Viewing Angle (H-V)	160° / 160°	160° / 160° or 160° / 140°	160° / 160°
Backlight MTBF	50000 (LED Backlight)		
SBC Model	AFLMB-LX-800	AFLMB-LXPOS-R10	AFLMB-945GSE-N270-R10
CPU	AMD LX 800 (500MHz)		Intel® Atom™ processor N270 1.6GHz CPU
Chipset	AMD LX 800 + AMD CS5536		Intel® 945GSE + ICH7M
RAM	Supports one 333MHz or 400MHz DDR SO-DIMM (1GB Max.)		Supports one 400MHz or 533MHz DDRII SO-DIMM (2GB Max.)
I/O Ports	1 x RS-232 COM Port 1 x RS-232/422/485 COM Port 2 x RJ-45 for 10/100Mbps LAN 2 x USB 2.0 1 x Power Switch 1 x Reset Button 1 x Power Jack 1 x Audio Port	2 x RS-232 COM Port (pin9 with RI, 5V or 12V switch selectable) 1 x RJ-45 for 10/100Mbps LAN 2 x USB 2.0 1 x Power Switch 1 x Reset Button <b>1 x RJ-12(12VDC) for Cash Drawer</b> 1 x Power Jack	1 x RS-232 COM Port 1 x RS-232/422/485 COM Port 2 x RJ-45 for Giga LAN 4 x USB 2.0 1 x Power Switch 1 x Reset Button 1 x External SATA 1 x Audio Port 1 x Power Jack
SSD	CF Typell		
Watchdog Timer	Software programmable supports 1~255 sec. system reset		
Audio	AMP 1.5W + 1.5W (internal speaker)		
Wireless Connection	1 x Wireless Lan 802.11 b/g Module (internal Mini PCI interface) 1 x Bluetooth Function (internal USB interface, Bluetooth V2.0)	1 x Wireless Lan 802.11 b/g Module (internal Mini PCI interface)	1 x Wireless Lan 802.11 b/g/n Module (internal PCIe mini card interface) 1 x Bluetooth Function (internal USB interface, Bluetooth V2.0)
Drive Bay	1 x 2.5" IDE HDD bay	1 x 2.5" IDE HDD bay	1 x 2.5" SATA HDD bay
Optional HSUPA Module (support GSM 850, EGSN 900, DCS 1800 & 1900)	1 x HSUPA Mobile Module (USB Interface)	N/A	1 x HSUPA Mobile Module (USB Interface)
Construction Front Panel	ABS + PC Plastic front frame		
LED Function	1 x LED on Front Panel for Power ON/OFF	1 x LED on Front Panel for Power ON/OFF <b>2 x LED on Rear cover for Powered COM port (12V : RED / 5V : YELLOW / RI : GREEN)</b>	1 x Power ON/OFF LED on Front Panel
Mounting	Panel, Wall, Rack, Stand and Arm VESA 75mm x 75mm / 100mm x 100mm		
Front Panel Color	Gray 7539U		
Dimensions (WxHxD) (mm)	304 x 246 x 50	304 x 246 x 56	304 x 246 x 50
Operation Temperature (°C)	0°C ~ 50°C	0°C ~ 50°C	0°C ~40°C with SATA HDD -10°C ~50°C with CF Card or SATA interface 2.5" SSD HDD
Storage Temperature (°C)	-20°C ~ 60°C		
N/G Weight	1.8 Kg		
IP Level	Front Frame IP64		
Safety & EMC	CE / FCC / CB / CCC		
Touch Screen	Resistive Type 5-Wire (Touch controller IC is on board) or Capacitive type touch screen without HDD bay		
Power Adapter	P/N: 63000-FSP036RAB608-RS 36W Power Adapter Input: 90VAC~264VAC, 50/60Hz Output: 12VDC	P/N: 63000-FSP050DBAB1405-RS 50W Power Adapter Input: 90VAC~264VAC, 50/60Hz Output: 12VDC	P/N: 63000-FSP050DBAB1405-RS 50W Power Adapter Input: 90VAC~264VAC, 50/60Hz Output: 12VDC
Power Requirement	12VDC/18~30VDC		12VDC
Power Consumption	29W	29W	32W



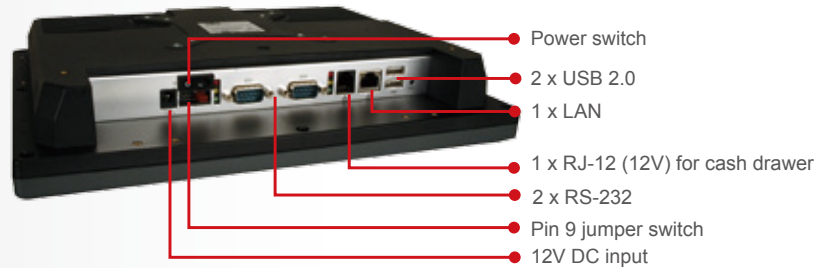
Fully Integrated I/O

● AFL-12A-LX

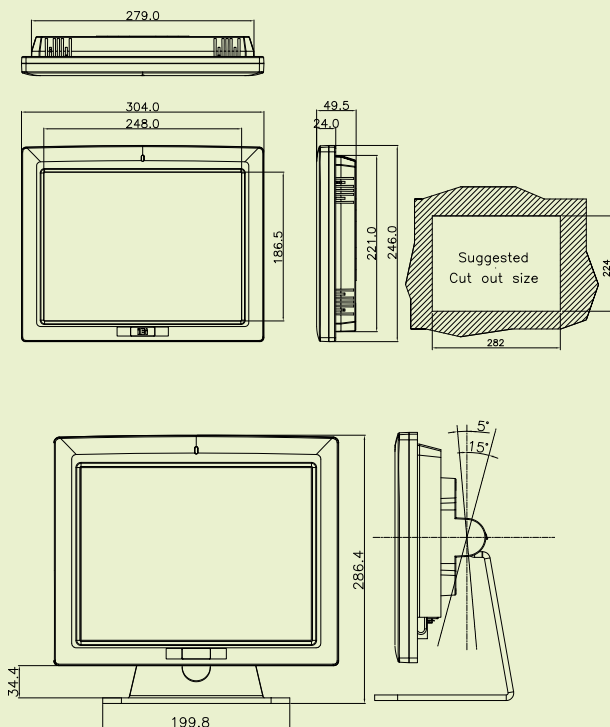


● AFL-12A-N270

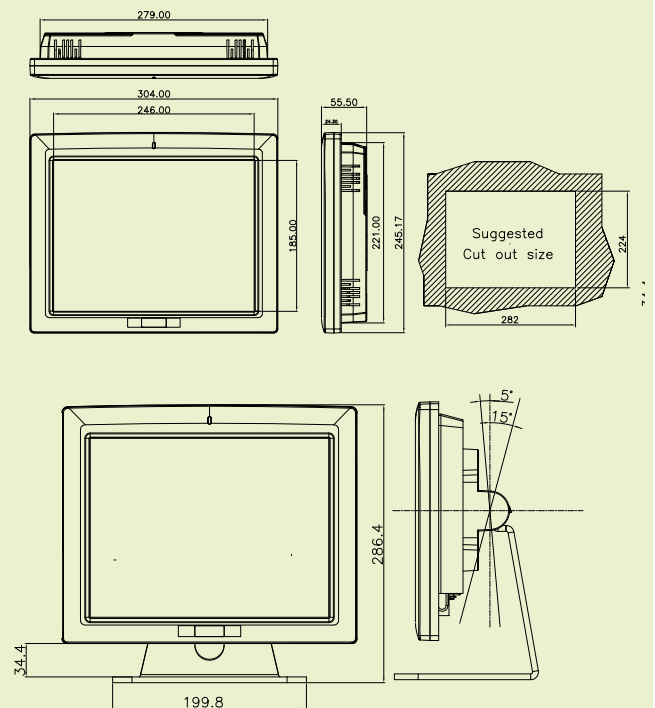
● AFL-12B-LXPOS



**AFL-12A**  
Dimensions (Unit: mm)



**AFL-12B**  
Dimensions (Unit: mm)



## Ordering Information

Part Number	Description
AFL-12A-LX/R/256-R21	12.1" 500 cd/m <sup>2</sup> , XGA fanless panel PC with AMD LX-800 CPU, AT/ATX mode, 802.11b/g wireless module, bluetooth module, touch screen and 256MB DDR RAM, R21
AFL-12A-LX/R/512-R21	12.1" 500 cd/m <sup>2</sup> , XGA fanless panel PC with AMD LX-800 CPU, AT/ATX mode, 802.11b/g wireless module, bluetooth module, touch screen and 512MB DDR RAM, R21
AFL-12A-LX24V/R/256-R21 <i>18V~30VDC!</i>	12.1" 500 cd/m <sup>2</sup> , XGA fanless panel PC with AMD LX-800 CPU, 18~30VDC input, AT/ATX mode, 802.11b/g wireless module, bluetooth module, touch screen and 256MB DDR RAM, R21
AFL-12A-LX24V/R/256-R21 <i>18V~30VDC!</i>	12.1" 500 cd/m <sup>2</sup> , XGA fanless panel PC with AMD LX-800 CPU, 18~30VDC input, AT/ATX mode, 802.11b/g wireless module, bluetooth module, touch screen and 512MB DDR RAM, R21
AFL-12BS-LXPOS/R/256-R21 <i>RJ-12 for Cash Drawer</i>	12.1" 450 cd/m <sup>2</sup> SVGA fanless PPC with AMD Geode LX 800 CPU, 256MB DDR RAM, 802.11 b/g wireless module and touch screen, without STAND, R21
AFL-12BX-LXPOS/R/256-R21 <i>RJ-12 for Cash Drawer</i>	12.1" 500 cd/m <sup>2</sup> XGA fanless PPC with AMD Geode LX 800 CPU, 256MB DDR RAM, 802.11 b/g wireless module and touch screen, without STAND, R21
AFL-12A-N270/R/1G-R21	12.1" 500 cd/m <sup>2</sup> , XGA fanless panel PC with Intel® Atom™ N270 1.6GHz, 802.11b/g/n wireless module, capitalize bluetooth module, touch screen, 1GB DDR2 533, R21

Note 1 : Capacitive type touch screen is upgradable.

Note 2 : Please order HSUPA02 for HSUPA function.

Note 3: AFL-12A-LX24V model is without power adapter

## Options

Model	AFL-12A-LX	AFL-12B- LXPOS	AFL-12A-N270
Panel Mounting Kit		AFLPK-12	
Wall Mounting Kit		AFLWK-12	
Rack Mounting Kit		AFLRK-12	
ARM		ARM-11-RS / ARM-31-RS	
Stand		STAND-A12 / STAND-POS12 / STAND-100-RS	
VSTAND		VSTAND-A12	
9~30VDC to 12VDC Converter Module		IDD-930160-KIT	
OS: Win CE 5.0 (128 MB CF card)	AFLCF-12-LX-CE-R21	AFLCF-12-LXPOS-CE-R21	--
OS: Win CE 6.0 (128 MB CF card)	AFLCF-12-LX-CE060-R21	AFLCF-12-LXPOS-CE060-R21	AFLCF-12-N270-CE060-R21
OS: Win XPE (1 GB CF card)	AFLCF-12-LX-XPE-R21	AFLCF-12-LXPOS-XPE-R21	AFLCF-12-N270-XPE-R21
OS: LINUX (2 GB CF card)	AFLCF-12-LX-LNX-R21	AFLCF-12-LXPOS-LNX-R21	AFLCF-12-N270-LNX-R21
OS: Win 7 Embedded (2GB CF card)	--	--	AFLCF-12-N270-WES7E-R21
Hybrid Card Reader		AFLP-12AMSI-U	
Magnetic Stripe Reader		AFLP-12AMSR-U	
DC 12V Input UPS		AUPS-A10-R10 (7.4V 3800mAh)	
DC 9~36V Input UPS		AUPS-A20-R10 (7.4V 3800mAh)	

## ISMM Support Functions

	Voltage	Fan	Smart Fan	Temperature	DIO	WDT	Cash Drawer
AFL-12A-LX	V			V		V	
AFL-12B-LXPOS	V			V		V	V
AFL-12A-N270	V			V		V	

## Packing List

Item	Part Number	Q'ty	Specification
Screws Pack	44013-030041-RS	4	M3;5mm
Power Adpater	63000-FSP036RAB608-RS 63000-FSP050DBAB1405-RS	1	90~264V AC; 12V DC; 36W (for LX) 90~264V AC; 12V DC; 50W (for LXPOS, N270)
Power Cord	32000-000002-RS	1	1750mm; European Standard
Utilities CD	7B000-000087-RS	1	
Touch Pen	43125-0002C0-00-RS	1	

Note: AFL-LX24V model is without power adapter